



## INSTALLATION MANUAL

### DA-71HP

## One In/Seven Out Composite Video/Audio Distribution Amplifier

---

### ***IMPORTANT INFORMATION***

---



The lightning flash with arrowhead symbol, within an equilateral triangle, is intended to alert the user to the presence of uninsulated "dangerous voltage" within the product's enclosure that may be of sufficient magnitude to constitute a risk of electric shock to persons.



The exclamation point within an equilateral triangle is intended to alert the user to the presence of important operating and maintenance (servicing) instructions in the literature accompanying the appliance.

**WARNING :** TO REDUCE THE RISK OF FIRE OR ELECTRIC SHOCK, DO NOT EXPOSE THIS APPLIANCE TO RAIN OR MOISTURE. DO NOT OPEN THE CABINET. REFER SERVICING TO QUALIFIED PERSONNEL ONLY.

## PACKAGE CONTENTS

This package contains:

- One DA-71HP Distribution Amplifier
- One DA-71HP Power Supply
- One DA-71HP Installation Manual

## PRODUCT DESCRIPTION

The DA-71HP allows any audio./video source to distribute composite video with left and right audio to up to seven different locations without any signal loss.

## SPECIFICATIONS

### DA-71HP

Distribution Amplifier Specifications (Typical)

Video	
1. Video Input Impedance	75ohm +5%
2. Gain	2 Volt unterminated 1 Volt terminated
3. Video Insertion Loss	50Hz to 100MHz < 0.4dB
4. In to Out Isolation	50Hz to 10MHz 32dB port to port
5. Out to In Isolation	50Hz to 10MHz 60dB
6. Return Loss	50Hz to 100MHz 20dB
7. Video Bandwidth	>100MHz
Audio	
8. Gain	Unity
9. Audio Input Impedance	22K ohm
10. Audio Output Impedance	1K ohm
11. THD	0.05% @ 1.0 Volts input level
12. Frequency Response	10Hz to 50KHz + 1 dB
13. Channel Separation	>75dB @ 1KHz
14. In to Out Isolation	60dB
15. Out to In Isolation	60dB
16. Signal to Noise	100dB re 2 Volts (out)
17. A/V Input and Output Jacks	RCA type phono
General	
18. Power	9 Volt DC@600mA with 2.5mm jack
19. measurements	8.52"(W) x 3.23"(H) x 1.4"(D)
20. weight	0.88 lb
21. Material	Wall Mount Plastic Case

# INSTALLATION AND OPERATION

## NOTE TO SYSTEM INSTALLER

System installer must adhere to Article 820-40 of the NEC that provides guidelines for proper grounding and specifies that the cable ground shall be connected to *the grounding system of the building*, as close to the point of cable entry as practical.

### 1. UNPACKING and HANDLING

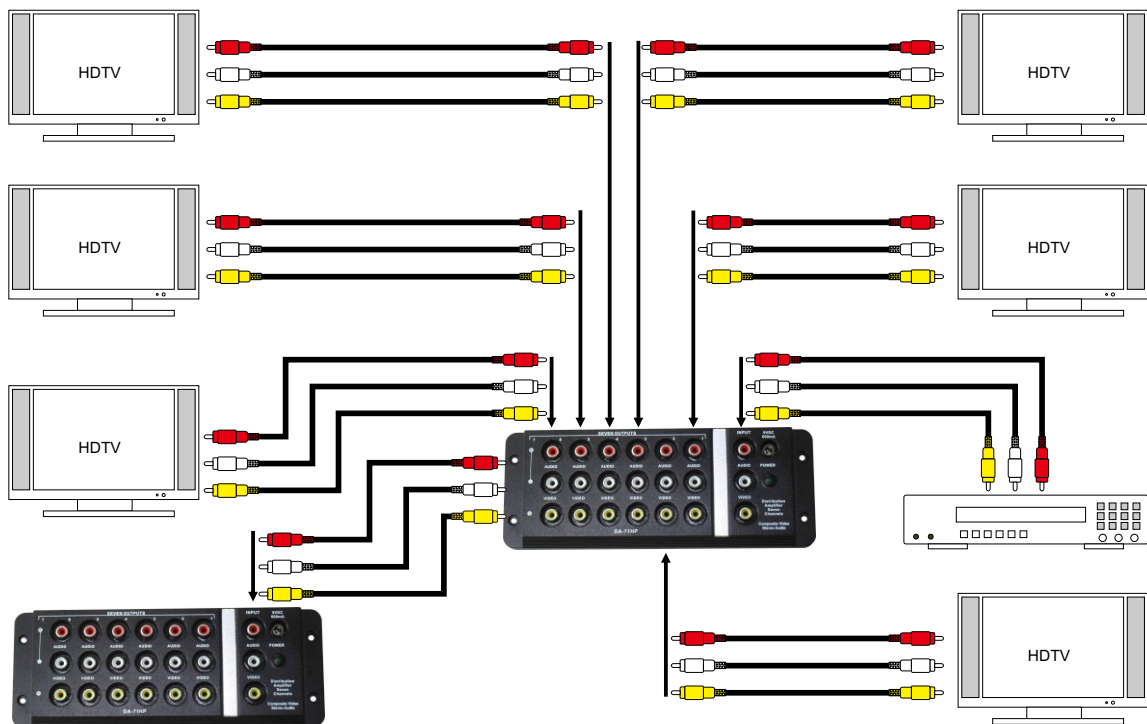
Each unit is shipped with all equipment assembled, and factory tested. Ensure that all accessories are removed from the container before discarding packing material

### 2. MECHANICAL INSPECTION

Inspect the front and rear of the equipment for shipping damage. Make sure the equipment is clean, and no connectors are broken, damaged, or loose. If equipment appears to be damaged or defective please contact us at 1-610-429-1511 for assistance.

### 3. PRODUCT DIAGRAM

Rear view of any audio/video source with composite applications such as a DVD, VCR or other equipment.



#### **4. HARDWARE CONNECTIONS**

- a. Connect the signal source's composite video output to the distribution amplifier's composite video output.
- b. Connect the signal source's audio L/R output to the distribution amplifier's audio L/R input.
- c. Connect your TV or monitor's composite input to the distribution amplifier's composite video OUTPUT 1, OUTPUT 2, OUTPUT 3, OUTPUT 4, OUTPUT 5, OUTPUT 6, or OUTPUT 7.
- d. Connect your TV or monitor's audio L/R input to the distribution amplifier's audio L/R output used in step c above.

#### **5. TROUBLESHOOTING**

- a. Ensure you are using quality audio/video cables with RCA connectors.
- b. Maximum cable distance between TV/monitor and the DA-71HP is 150 feet.
- c. Maximum cable distance between two daisy-chained or cascaded DA-71HPs is 100 feet.
- d. Further troubleshooting assistance can be found on-line at [www.northamericancable.com](http://www.northamericancable.com) and [www.cabletronix.com](http://www.cabletronix.com) in addition to support from Cabletronix sales engineers at 1-610-429-1511.