



...competitive technologies with compelling value

CT-SAW860-* SAW Filtered Modulator



Modulator Description

The CT-SAW860-* is a fixed channel, PLL controlled, video and audio modulator with SAW filtering. It is available for any cable channel from 2 to 127. It's video dynamic range insures 87.5% modulation depth over a wide video input range. The vestigial sideband selectivity allows maintenance free adjacent channel configuration. An efficient power supply enables cool and stable operation. The unit offers high performance, low cost and compact design.

The CT-SAW860 is a professional quality fixed channel 19" rack mounted modulator providing an audio and video modulated RF carrier for any single channel between 2 and 127 CATV. Any standard audio/video source can be used, including satellite receivers, demodulators, VCRs, laser/DVD players, and TV/security cameras.

The CT-SAW860 employs highly stable synthesized frequency control. Multi stage bandpass filtering is precision tuned for maximum benefit and adjacent channel operation. Setup and tuning is easy and straightforward taking advantage of the unit's front panel access to all level controls and indicators. Channel frequency information with FCC offsets is programmed into each unit at the factory.

The CT-SAW860 meets or exceeds government regulatory requirements, including FCC group delay pre-distortion for color transmission, and FCC Docket 21006 aeronautical offset requirements.

Application

Designed for commercial grade headend systems, the CT-SAW860 provides system operators the engineering ease and flexibility associated with new headend deployments, existing headend upgrades, and system maintenance.

Features and Benefits

- +55 dBmV RF output level
- Phase lock loop frequency control
- SAW Filtering for maintenance free adjacent channel configuration
- Spurious output -60 dBc
- Auxiliary AC outlet
- Cool operation
- Excellent value for your investment dollar
- 1 Year limited warranty

Modulator Specifications

Frequency Range:	Channels 2-127
Video Input Level:	0.7 to 1.5 Vp-p for 87.5% modulation
Video C/N:	60 dB (4 MHz BW)
Output Level:	+55 dBmV (+/- 2 dBmV audio RF level is adjustable from 7-22 dB below video carrier)
Frequency Stability:	+/- 5 kHz Maximum
Hum and Noise:	-60 dB min. @ 87.5% modulation
Audio Input Level:	250 mV min. for +/- 25 kHz deviation
Audio Input Impedance:	600 ohms or High Z, unbalanced
Spurious Output:	-60 dBc typical (@ A/V ratio-15dB)
Power Requirement:	120 VAC, 60 Hz, 10 Watts
Dimensions:	19"L x 2 1/2"D x 1 3/4"H

**Call For Pricing On This Product With
International Video Standards.**

Email: sales@cabletronix.com

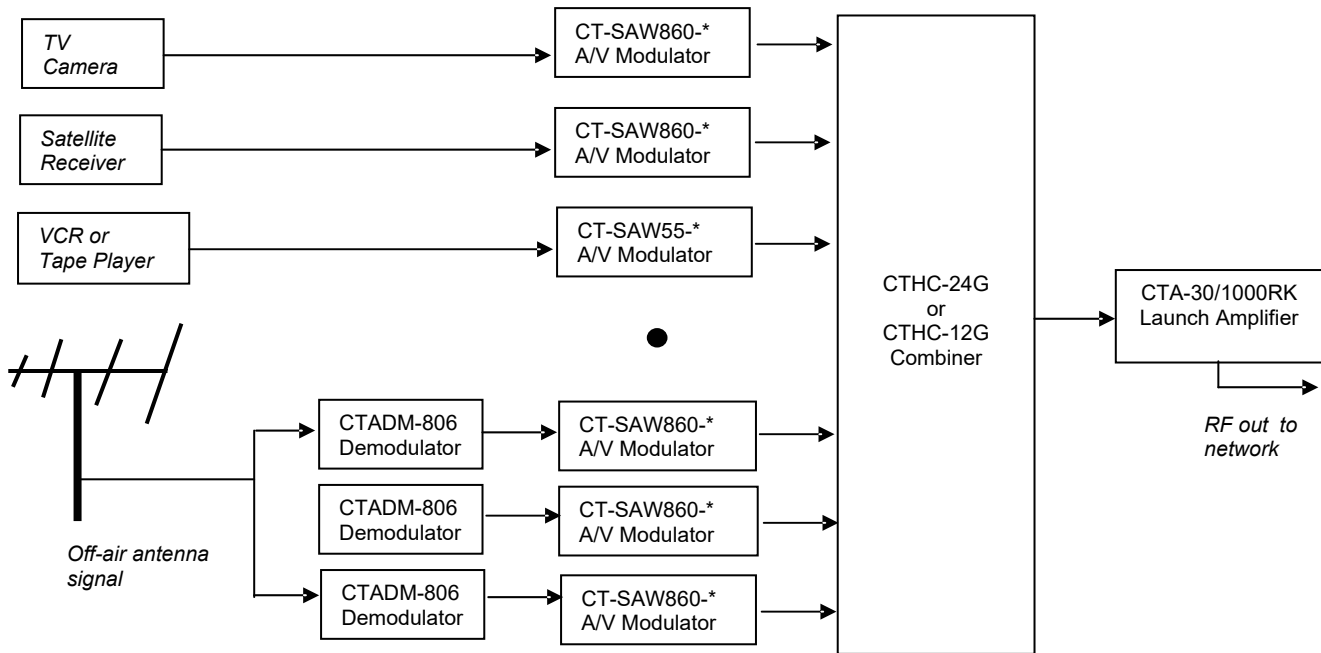
Web: www.cabletronix.com

Specifications

CT-SAW860-*

SAW Filtered Modulator

RF	Output Frequency	CATV Channels 2 to 127
	Output Level	+55 dBmV typical, 13 dB Adjustable
	Spurious Output	> 60 dB typical (@ A/V ratio -15dB)
	C/N Ratio	60 dB typical (4 MHz BW)
	Hum and Noise	-60 dB min. @ 87.5% modulation
	Frequency Accuracy	±5 kHz Maximum
	Output Impedance	75 Ohms
	Output Return Loss	9 dB
	A/V Ratio	-7 to -22 dB Adjustable
	Video	Input Level
Input Impedance		75 Ohms
Input Return Loss		20 dB
Flatness		±1 dB,
Video Signal-to-Noise Ratio		62 dB
Differential Gain		5.0 % (10 to 90% APL)
Differential Phase		5° (10 to 90% APL)
Group Delay Response		meets FCC group delay pre-distortion requirements for color transmission
Audio	Input Level	0.8 V p-p for 25 KHz Peak Deviation
	Input Impedance	600 ohms unbalanced
	Flatness	±1 dB, 50 Hz ~ 15 kHz
	Harmonic Distortion	<1 %, 50 Hz ~ 15 kHz
General	Power Requirement	120 VAC, 60 Hz, 10 Watts
	Dimensions	19" W x 2.25" D x 1.75" H
	Operating Temperature Range	-10°C to 50°C
	Power Cord	6' Round



The CT-SAW860 audio / video modulators are regulatory compliant. All product specifications are accurate at time of printing, but are subject to change.

The CT-SAW860 carries a 1 year limited warranty. The Warranty can be extended to three years. Contact a sales engineer for details.